

# C Range

## pass through

### DISHWASHER



## C2035 ws

### Maidaid **C2035 WS** Features

- **2 year warranty**
- Four button bright LED display with soft touch controls, twin traffic lights giving instant status updates & operational self-diagnostics



- Alarms menu with hi-level information retrieval
- Quick release parallel wash & rinse arm design
- Easy lift soft glide hood system
- Internal continuous water softener as standard
- Drain pump as standard
- Breaktank as standard
- Three standard cycle time options with further options available
- Cycle times can be tailored to site requirements
- Automatic self cleaning at end of service
- Selectable energy saving mode
- Selectable thermostop ensures optimum rinse temperatures
- Patented dual flow wash pump - reducing power whilst retaining wash efficiency
- Moulded wash tank for easy cleaning
- Surface scrap tray filters supplied as standard
- Accurate detergent & rinse aid peristaltic dosing pumps as standard



**C2035 WS**  
(shown with tabling – not included)

Supplied with one pegged (capable of holding 18 10" plates), one open rack (capable of holding 25 pint glasses) and cutlery insert.

Additional racks can be purchased at point of order:  
**Z972001 & Z972003**



For additional information contact our Sales Team on

T: **0345 130 8070** E: **sales@maidaid-halcyon.co.uk** or visit **www.maidaid.co.uk**

# C Range

## pass through

### DISHWASHER

## C2035 ws



**C2035 WS**  
(shown with tabling –  
not included)

### Technical Data

Dimensions (W x D x H)	mm	640 x 745 x 1335 + Feet
Feet height	mm	165-225
Rack size	mm	500 x 500
Maximum useable height	mm	435
Door opening	mm	460
Theoretical productivity	Racks/h	51
Effective productivity	Racks/h	36*

\*Allowing 30 seconds for reloading  
Cycle times may vary depending on local conditions/services

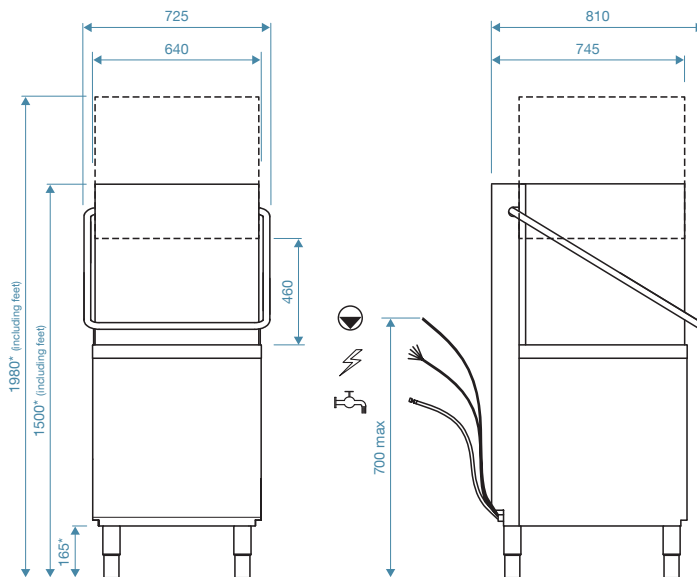
Wash tank element	kW	2.1
Boiler element	kW	6.0
Wash pump	kW	0.47
Tank capacity	L	15
Noise emission	dB	≤ 65

### Packaging Specs

Gross weight	Kg	100
Cubic volume	m <sup>3</sup>	0.98
Dim. (W x D x H)	mm	840 x 760 x 1520

### Installation Diagram –

All services must be within 1 meter



\*Height-adjustable feet + 60mm

Pumped waste into upstand, maximum height 700mm

Power  
 Water supply 2 – 4 bar

### Power Supply

Installed power	AMP	kW
230V – 50Hz – 1N	20	4.5
	30*	6.5
Optional 3 Phase config	Total load 6.5kW	
Fused	16 amp	

\*Standard configuration

### Water Connection

Inlet water pressure	Bar	2 to 4
Flow rate L/Min	L/Min	6
Water inlet temp	°C	10 to 50
Water connection	BSP	¾"
Waste connection	Ø	Int 29/ext 34

### Cycle Information

Number of standard cycles		3
Standard cycles times	Sec	70/90/120
Special cycle		Eco, Glass, Long
Self-cleaning cycle		Full self clean
Water consumption per cycle	L	2
Wash temperature	°C	60 – adjustable
Rinse temperature	°C	82 – adjustable

For additional information contact our Sales Team on

T: 0345 130 8070 E: sales@maidaid-halcyon.co.uk or visit www.maidaid.co.uk