

# D Range

## undercounter

### DISHWASHER



## D525 ws

### Maidaid **D525 WS** Features

- **2 year warranty**
- Four button bright LED display with soft touch controls, twin traffic lights giving instant status updates & operational self-diagnostics



- Alarms menu with hi-level information retrieval
- Quick release parallel wash & rinse arm design
- Internal continuous water softener as standard
- Triple wash tank filtration system
- Breaktank as standard
- Drain pump as standard
- Three standard cycle time options with a range of special cycles
- Cycle times can be tailored to site requirements
- Comprehensive automatic self-cleaning at end of service
- Selectable energy saving mode
- Selectable thermostop ensures optimum rinse temperatures
- Fully double skinned minimising both acoustic output and reduced heat loss
- Patented dual flow wash pump with soft start – reducing power consumption whilst retaining wash efficiency
- Full door seal and door ajar facility
- Moulded wash tank for easy cleaning
- Moulded rack guide
- Accurate detergent & rinse aid peristaltic dosing pumps as standard
- Surface scrap tray filter supplied as standard



Supplied with one pegged (capable of holding 18 10" plates), one open rack (capable of holding 25 pint glasses) and cutlery insert.

Additional racks can be purchased at point of order:

**Z972001** & **Z972003**



For additional information contact our Sales Team on

T: **0345 130 8070** E: **sales@maidaid-halcyon.co.uk** or visit **www.maidaid.co.uk**

# D Range undercounter DISHWASHER

## D525 ws



### Technical Data

Dimensions (W x D x H)	mm	600 x 630 x 810 + Feet
Feet height	mm	10-20
Rack size	mm	500 x 500
Maximum useable height	mm	365
Door opening	mm	390
Theoretical productivity	Racks/h	40
Effective productivity	Racks/h	30*

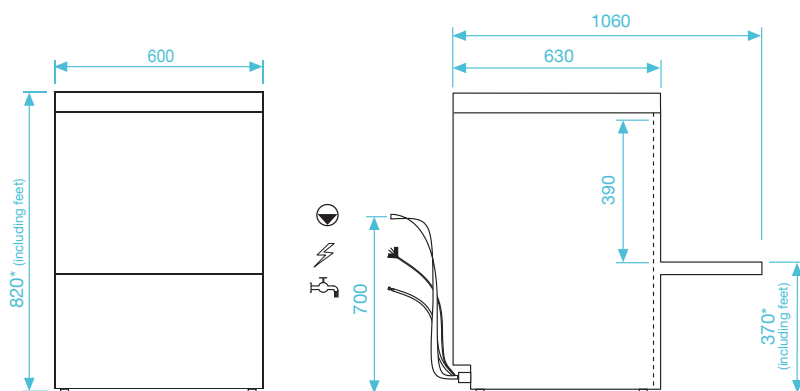
Wash tank element	kW	2.1
Boiler element	kW	6
Wash pump	kW	0.47
Tank capacity	L	15
Noise emission	dB	≤ 55

### Packaging Specs

Gross weight	Kg	66
Cubic volume	m³	0.45
Dim. (W x D x H)	mm	670 x 690 x 980

\*Allowing 30 seconds for reloading  
Cycle times may vary depending on local conditions/services

### Installation Diagram – All services must be within 1 meter



\*Height-adjustable feet + 10mm

### Power Supply

Installed power	AMP	kW
230V – 50Hz – 1N	13	2.6
	20	4.5
	30*	6.5
Optional 3 Phase config	Total load 6.5kW	
Fused	16 amp	

\*Standard configuration

Pumped waste into upstand, maximum height 700mm

Power  
 Water supply 2 – 4 bar

### Water Connection

Inlet water pressure	Bar	2 to 4
Flow rate L/Min	L/Min	6
Water inlet temp	°C	10 to 50
Water connection	BSP	¾"
Waste connection	Ø	Int 19/ext 24

### Cycle Information

Number of standard cycles		3
Standard cycles times	Sec	90/120/150 – adjustable
Special cycle		Eco, Glass, Long, Refresh
Self-cleaning cycle		Full self clean
Water consumption per cycle	L	2
Wash temperature	°C	60 – adjustable
Rinse temperature	°C	82 – adjustable

For additional information contact our Sales Team on

T: **0345 130 8070** E: **sales@maidaid-halcyon.co.uk** or visit **www.maidaid.co.uk**