



OG8302/N - Lincat Opus 800 Natural Gas Counter-top Salamander Grill - W 900 mm - 8.7 kW

A fast-heating Opus 800 Gas Salamander Grill with powerful, highly efficient ceramic plaque burners for reliability and rapid heat up, together with the versatility that comes with three independently controlled heat zones.

- ✓ Powerful, highly efficient ceramic plaque burners for reliability & rapid heat up
- ✓ Maximum versatility with three independently controlled heat zones
- ✓ Four shelf positions with horizontal or angled settings
- ✓ GN 1/1 compatible
- ✓ Enamelled front for durability

Specifications

Summary

| | |
|-----------------------------|-----------------------------------|
| Brand | Lincat |
| Range | Opus 800 |
| Power Type | Gas |
| Gas Type | Natural Gas |
| Unit Type | Counter-top |
| Available in UK Only | No |
| UK Warranty | 2 Years Parts and Labour Warranty |
| Export Warranty | Contact your local dealer |
| GTIN | 5056105102793 |

Power and Performance

| | |
|--|------------|
| BTU per Hour | 29,684 |
| Total Power kW | 8.7 |
| Cooking Area (Width x Depth) mm | 615 |
| Temperature Control | Mechanical |

Key Specifications

| | |
|-----------------------------------|---|
| Number of Shelves included | 1 |
| Number of Shelf Positions | 4 |
| Number of Heat Zones | 3 |

Capacity

| | |
|--------------------------------|----------------------------------|
| Gastronorm Capacity | 1 x GN1/1 |
| Product Output per Hour | 76 x 225g [8oz] steaks [chilled] |

Weights and Dimensions

| | |
|----------------------------------|-----|
| Unit Height (External) mm | 495 |
| Unit Width (External) mm | 900 |
| Unit Depth (External) mm | 548 |
| Shelf Dimensions Width mm | 615 |
| Shelf Dimensions Depth mm | 365 |
| Net Weight Kg | 60 |

Supply Connections

| | |
|--|--------|
| Requires Installation | Yes |
| Gas Connection BSP | 1/2" |
| Gas Consumption at full rate Natural m³ per Hour | 0.83 |
| Gas Pressure Natural mbar | 20 |
| Total heat input at full rate Natural kW | 8.7 |
| Total heat input at full rate Natural BTU per hour | 29,684 |

Shipping

| | |
|-------------------------|------|
| Packed Weight Kg | 72.5 |
| Packed Height cm | 85 |
| Packed Width cm | 100 |
| Packed Depth cm | 85 |

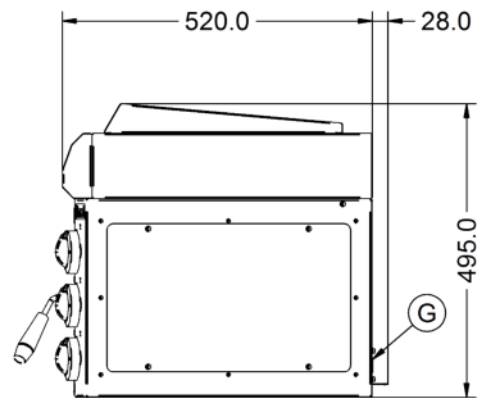
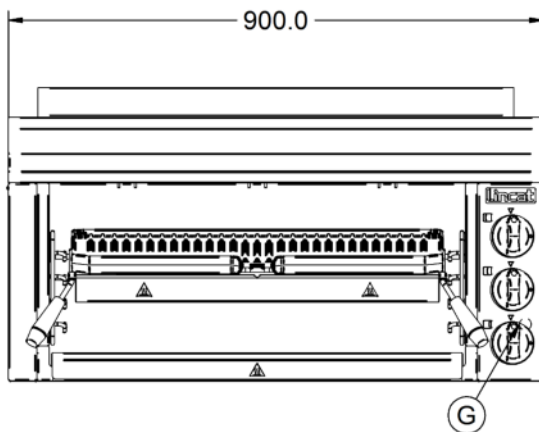
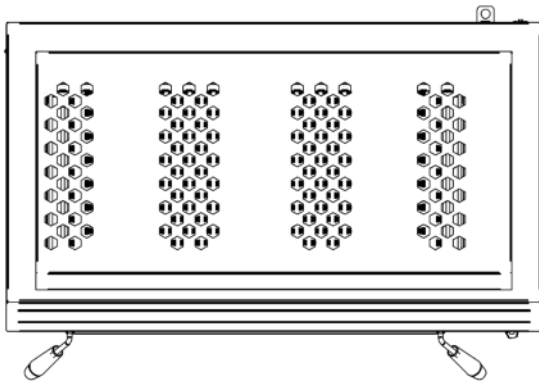
Available Accessories

| | |
|-------------|---|
| BR10 | OG8302 BRANDING GRID |
| CH01 | Caterflex Hose 1/2" - 1 Metre - for use with units up to 66,000 BTU |

Available Accessories

| | |
|---------------|--|
| CH02 | Caterflex Hose 1/2" - 1.5 Metre - for use with units up to 56,000 BTU |
| OA8911 | WALL BRACKET OG8302/OE8303 |
| OA8912 | Lincat Opus 800 Free-standing Floor Stand with Legs - for units W 900 mm |
| OA8918 | Lincat Opus 800 Free-standing Bench Stand - for units W 900 mm |

Technical Picture





Lincat Limited

Whisby Road,
Lincoln, LN6 3QZ,
United Kingdom

Company No: 2175448

A member company of



Customer Care

Tel: +44 1522 875500
Email: care@lincat.co.uk

Export Customers

Tel: +44 1522 875536
Email: export@lincat.co.uk

Opening Hours

Monday – Friday:
8.30am – 5pm