



E9460 Electric Chargrill



Short Form Specification

Unit to be Falcon F900 Series high performance electric chargrill. Unit to be supplied upon adjustable feet or installed upon open stand. Unit will be fitted with removable stainless steel splashguard to the rear and sides.

Food will be placed directly upon the elements. The elements will tilt up to provide easy access for cleaning.

The hob will be constructed from 2mm 304 grade stainless steel. Hobs will be laser cut with right-angled edges to allow joining of units with no gaps between hobs. Exterior panels are Scotch Brite finish stainless steel. Control knobs to be marked showing gas positions and to have a bezel behind each knob to prevent water ingress.

Key Features

- Food is cooked directly upon the element
- Even cooking across entire area
- Element swivels upwards for ease of cleaning
- Removable magnetic stainless steel surround
- Temperature range from 70 - 400°C
- Supplied with ptfе lining sheets for ease of cleaning
- Supplied upon stainless steel adjustable feet
- No water required in drip tray
- 2mm thick 304 grade stainless steel hob
- Laser cut hob allows edge to edge joining of units
- Stainless steel external panels with Scotch Brite finish
- Dynamic Link System Compatible



Integrated linking system allows quick and easy installation to create a continuous cookline.

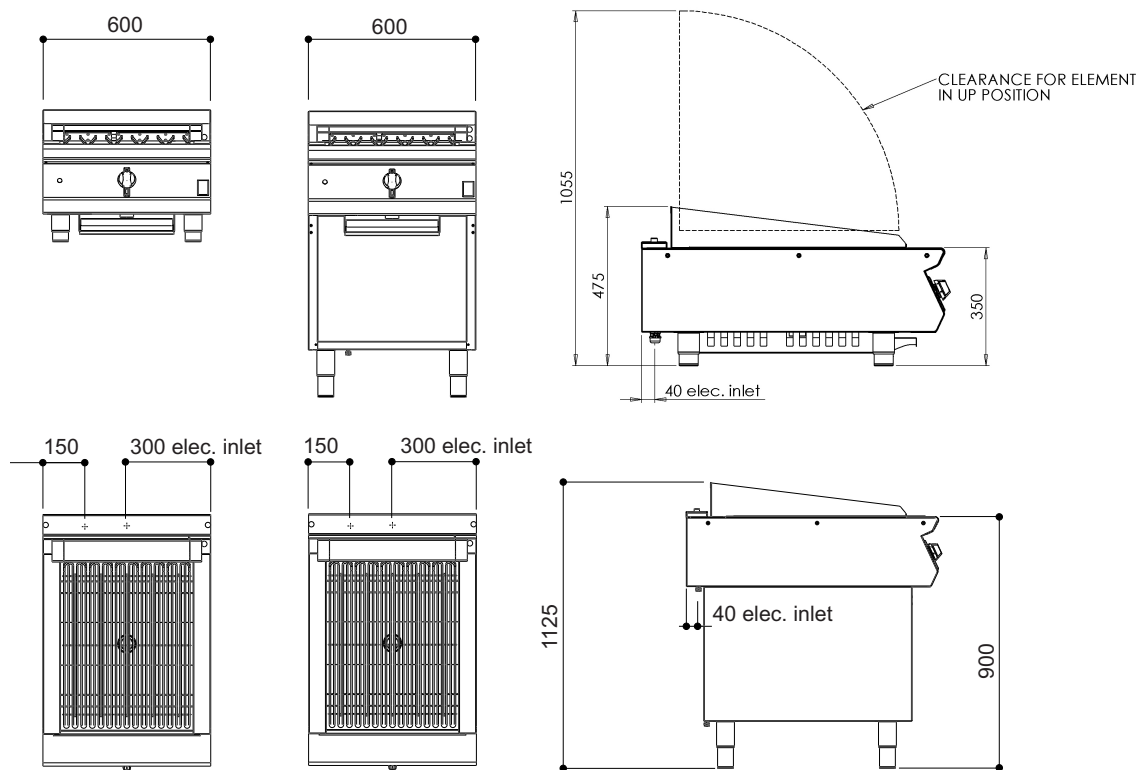
UK Patent No. 2540131

Optional Accessories

- Front hob rail
- Fixed or mobile stand

E9460 Electric Chargrill

Model Dimensions (mm)



Specification Details

Electrical rating (kW)	8.4
Electrical supply voltage	400V 3N~
Required electrical supply (A)	32
Electrical current split (A)	L1: 11.1 / L2: 14.55 / L3: 11.1
Weight (kg)	49
Packed weight (kg)	62
Packed dimensions (mm)	700 (w) x 1000 (d) x 780 (h)

Installation Note:

Please consult local legislation with regard to installation of cooking equipment.